

## BUTTERFLY VALVE



Butterfly Valves are manufactured and tested in according to GB/T12238, API609, MSS SP-67 and also meet the ANSI B16.1/B16.5/B16.47, BS4504, GB/T9113, JB/T79 Flanged standard.

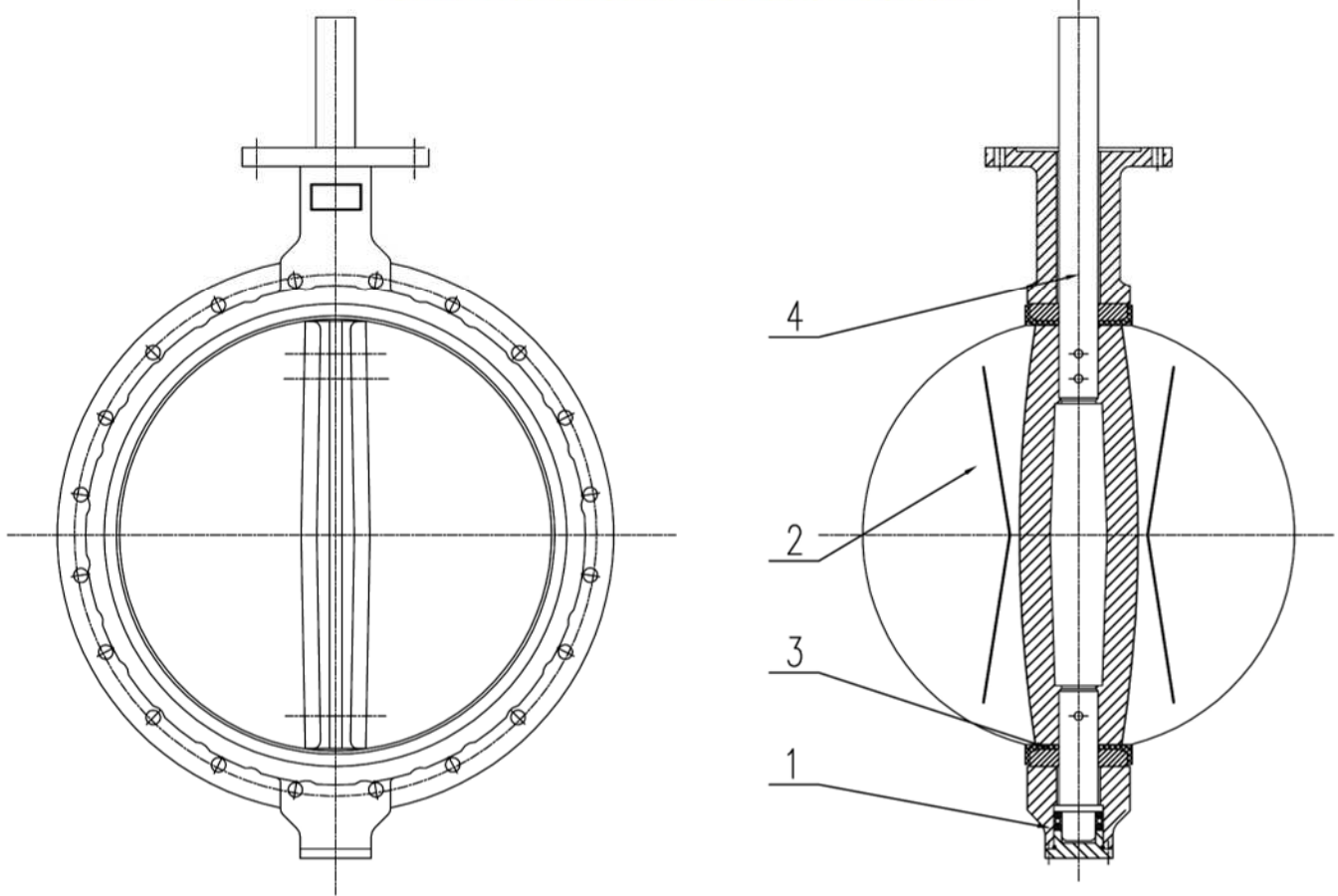
### FEATURES

- Rubber seat sealing.
- Robust stainless steel shaft.
- Easy installation and excellent sealing with no leakage.
- Both lever operated and gear operated.
- Pneumatic and Electric actuators are available.
- Fusion bonded epoxy coating.

### DESIGN SPECIFICATIONS

- Size: 50 mm to 1200 mm
- Working Pressure: 10, 16, 20 Bar
- Shell test: 1.5xPN
- Seat test: 1.1xPN
- Suitable for universal flanged standards.

## DIMENSIONS AND MATERIALS



NO.	PARTS	MATERIAL	ASTM.Designation
1	Body	Ductile Iron	A 536 Grade 65-45-12
			A 395
		Cast Iron	A 126 Class B
		Cast Steel	ASTM A126 WCB
2	Disc	Ductile Iron	A 536 Grade 65-45-12
			A 395
		Stainless Steel	3100 Grade 304
		Bronze	B 62
		Aluminum Bronze	B 149 C95200
3	Seat	Rubber (NBR)	D 2000 BK 707
		Rubber (EPDM)	D 2000 CA 707
4	Shaft	Stainless Steel	A 276 Type 420
5	Bolt&Nut	Stainless Steel	A 276 Type 304
		Galvanized Steel	A 307 Grade B



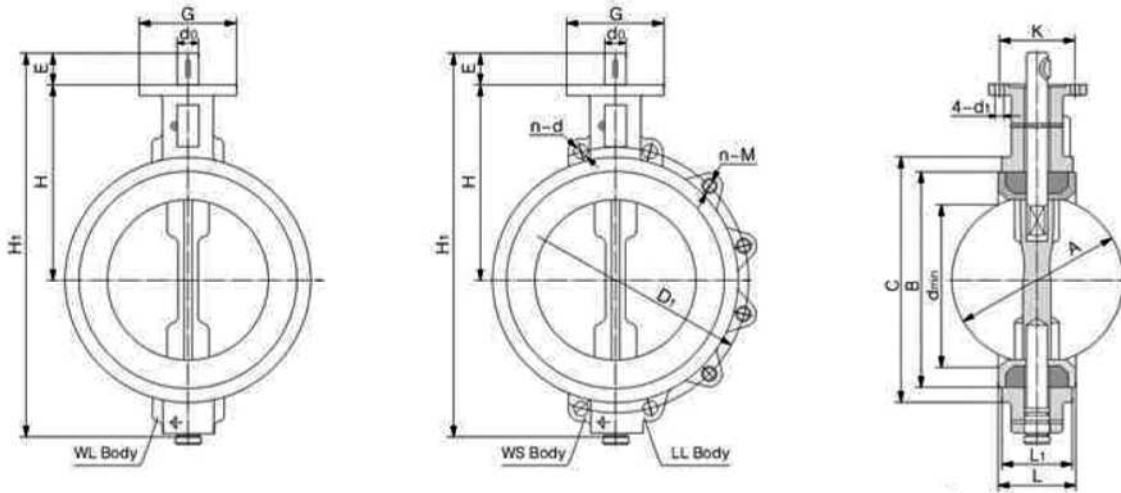
**SCI CORPORATION Co.,Ltd.**

Factory: 1/12 Moo 2, Samutsakorn Industrial Estate, Soi 7,  
 Rama 2 Road, Tahsai, Muang, Samutsakorn 74000, Thailand  
 Tel: (6634)440-130 Fax. (6634)440-137 E-mail: sci@scivalve.com



ISO 9001:2015  
 File No.438881 QM  
 ISO 14001:2015  
 File No.438881 UM

## DIMENSIONS



SIZE	DN	50	65	80	100	125	150	200	250	300
	L1	43	46	46	52	56	56	60	68	78
	L	47	50	50	56	60	60	64	72	82
	A	53	64.5	78.8	104	123.3	156	202.5	250.5	301.6
	B	76	89	104	135	159	189	238.5	292	345
	C	89	108	120	150	181	208	260	320	375
	$d_{min}$	32.3	46.1	64.4	86.3	110.6	134.8	192.4	241.7	291.8
D1	PN10	125	145	160	180	210	240	295	350	400
	PN16	125	145	160	180	210	240	295	355	410
	PN20	120.5	139.5	152.5	190.5	216	241.5	298.5	362	432
	Class 125	120.5	139.5	152.5	190.5	216	241.5	298.5	362	432
	Class 150	106.5	125.5	144.5	176.5	211.5	246.5	303.5	357.5	418
n-d	PN10	4-18	4-18	8-18	8-18	8-18	8-22	8-22	12-22	12-22
	PN16	4-18	4-18	8-18	8-18	8-18	8-22	12-22	12-26	12-26
	PN20	4-19	4-19	4-19	8-19	8-22	8-22	8-22	12-25	12-25
	Class 125	4-19	4-19	4-19	8-19	8-22	8-22	8-22	12-25	12-25
	Class 150	8-19	8-22	8-22	8-22	8-22	12-22	12-25	16-29	16-32
n-M	PN10	4-M16	4-M16	8-M16	8-M16	8-M16	8-M20	8-M20	12-M20	12-M20
	PN16	4-M16	4-M16	8-M16	8-M16	8-M16	8-M20	12-M20	12-M24	12-M24
	PN20	4-5/8	4-5/8	4-5/8	8-5/8	8-3/4	8-3/4	8-3/4	12-7/8	12-7/8
	Class 125	4-5/8	4-5/8	4-5/8	8-5/8	8-3/4	8-3/4	8-3/4	12-7/8	12-7/8
	Class 150	8-5/8	8-3/4	8-3/4	8-3/4	8-3/4	12-3/4	12-7/8	16-1	16-1 1/8
	E	32	32	32	32	32	32	45	45	45
H	Long neck	161	175	181	200	213	226	260	292	337
	Shot neck	100	113	124	152	152	165	205	253	277
H1	Long neck	273	296	308	346	372	397	480	540	624
	Shot neck	212	234	251	298	311	336	425	495	564
	$d_0$	12.7	12.7	12.7	15.9	19	19	22.2	28.6	31.7
	K	50	50	50	70	70	70	102	102	102
	G	78	78	78	92	92	92	125	125	140



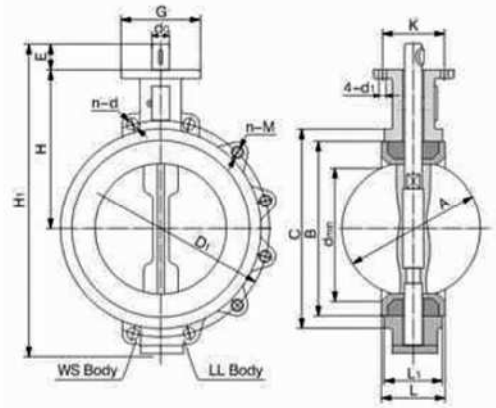
**SCI CORPORATION Co.,Ltd.**  
 Factory: 1/12 Moo 2, Samutsakorn Industrial Estate, Soi 7,  
 Rama 2 Road, Tahsai, Muang, Samutsakorn 74000, Thailand  
 Tel: (6634)440-130 Fax: (6634)440-137 E-mail: sci@scivalve.com



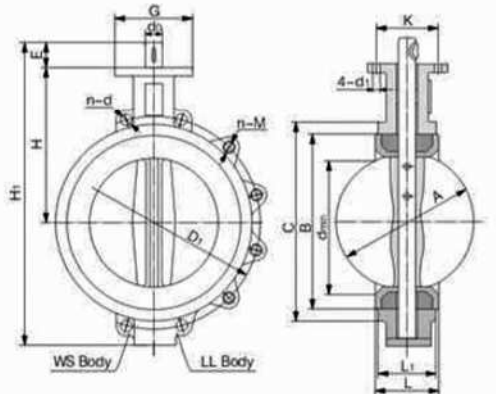
ISO 9001:2015  
 File No.438881 QM  
 ISO 14001:2015  
 File No.438881 UM

## DIMENSIONS

SIZE	DN	350	400	450	500	600
L1		76.5	85.7	104.6	130.3	151.4
L		80	90	109	135	156
A		333.3	389.6	440.5	491.6	592.5
B		375.1	439.5	490.5	535.4	654
C		405	470	521	565	693
$d_{min}$		322	379.1	426.8	472.7	571.6
D1	PN10	460	515	565	620	725
	PN16	470	525	585	650	770
	PN20	476	540	578	635	749.5
	Class 125	476	540	578	635	749.5
	Class 150	481.5	535	592.5	649.5	768.5
n-d	PN10	16-22	16-26	20-26	20-26	20-30
	PN16	16-26	16-30	20-30	20-33	20-36
	PN20	12-29	16-29	16-32	20-32	20-35
	Class 125	12-29	16-29	16-32	20-32	20-35
	Class 150	20-32	20-35	24-35	24-35	24-41
n-M	PN10	16-M20	16-M24	20-M24	20-M24	20-M27
	PN16	16-M24	16-M27	20-M27	20-M30	20-M33
	PN20	12-1	16-1	16-1 1/8	20-1 1/8	20-1 1/4
	Class 125	12-1	16-1	16-1 1/8	20-1 1/8	20-1 1/4
	Class 150	20-1 1/8	20-1 1/4	24-1 1/8	24-1 1/4	24-1 1/2
E	PN10	45	51	51	64	70
	PN16	45	72	72	82	82
	PN20	45	72	72	82	82
	Class 125	45	72	72	82	82
	Class 150	45	72	72	82	82
H		368	400	422	480	562
H1	PN10	680	760	801	898	1091
	PN16	680	781	822	916	1103
	PN20	680	781	822	916	1103
	Class 125	680	781	822	916	1103
	Class 150	680	781	822	916	1103
$d_0$	PN10	31.6	33.2	38	41.1	50.6
	PN16	31.6	38	42.9	45.7	54
	PN20	42.9	50.6	54	63.4	75
	Class 125	42.9	50.6	54	63.4	75
	Class 150	42.9	50.6	54	63.4	75
K		102	140	140	140	165
G		140	197	198	197	276



Semi-shaft Pinless Connection  
Butterfly Valve



Taper Pin Connection  
Butterfly Valve



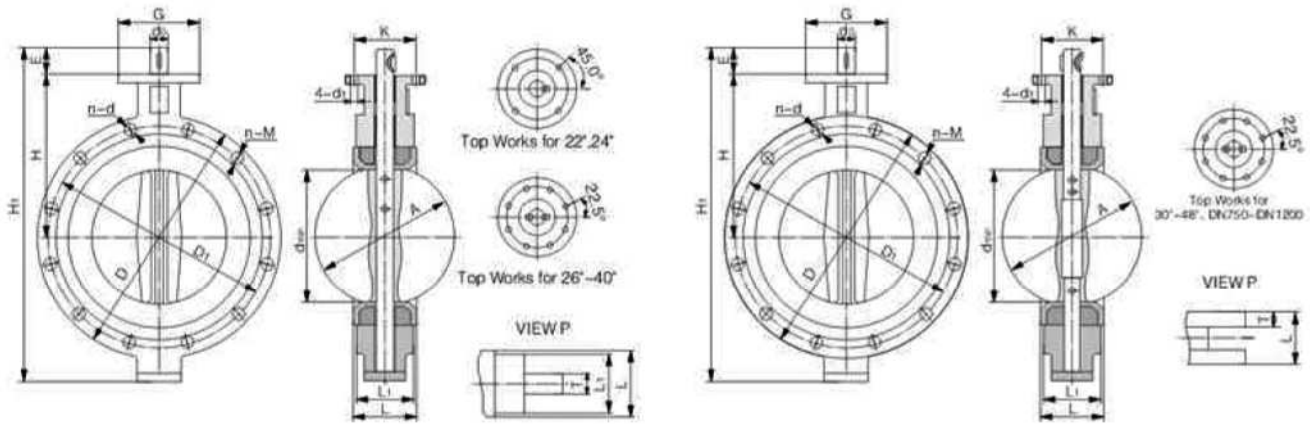
**SCI CORPORATION Co.,Ltd.**

Factory: 1/12 Moo 2, Samutsakorn Industrial Estate, Soi 7,  
Rama 2 Road, Tahsai, Muang, Samutsakorn 74000, Thailand  
Tel: (6634)440-130 Fax: (6634)440-137 E-mail: sci@scivalve.com



ISO 9001:2015  
File No.438881 QM  
ISO 14001:2015  
File No.438881 UM

## DIMENSIONS



Single Flange Butterfly Valve  
(DN550-DN1000)

U-type Butterfly Valve  
(DN750-DN1200)

### Single Flange Butterfly Valve

SIZE DN	L	L1	D	D1	d <sub>min</sub>	n-d	G	K	n-d <sub>1</sub>	d <sub>0</sub>	T	H	H1	E
550	156	151.4	745	680	529.9	20-33	276	165	4-22	51	30	537	972	66
600	156	151.4	824	725	571.6	20-31	276	165	4-22	51	30	562	1021	66
650	171	165	845	780	625.9	24-33	300	254	8-18	64	30	591	1063	66
700	169	163	895	840	675.6	24-31	300	254	8-18	64	30	624	1144	66
800	195	188	1015	950	772.1	24-34	300	254	8-18	64	30	672	1263	66
850	211	203	1070	1000	796.2	28-33	300	254	8-18	75	47	695	1294	118
1000	224	216	1230	1160	940.5	28-37	300	254	8-18	85	50	800	1521	141

### U-Section Butterfly Valve

SIZE DN	L	L1	D	D1	d <sub>min</sub>	n-d	G	K	n-d <sub>1</sub>	d <sub>0</sub>	T	H	H1	E
750	173	167	984	914.4	725.5	28-1 1/4	300	200	8-18	64	54	54	1286	66
900	211	203	1168	1085.8	840.5	32-1 1/5	300	200	8-18	75	61	61	1494	118
1050	261	251	1346	1257.3	999	36-1 1/2	300	200	8-18	95	67	67	1785	150
1200	266	276	1511	1422.4	1126.6	44-1 1/2	350	200	8-22	105	70	70	1955	150



**SCI CORPORATION Co.,Ltd.**

Factory: 1/12 Moo 2, Samutsakorn Industrial Estate, Soi 7,  
Rama 2 Road, Tahsai, Muang, Samutsakorn 74000, Thailand  
Tel: (6634)440-130 Fax: (6634)440-137 E-mail: sci@scivalve.com



ISO 9001:2015  
File No.438881 QM  
ISO 14001:2015  
File No.438881 UM